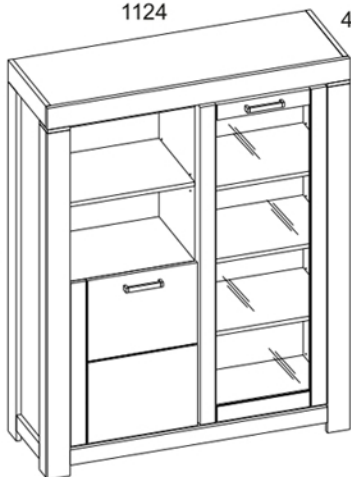


# BORAS 1D1W

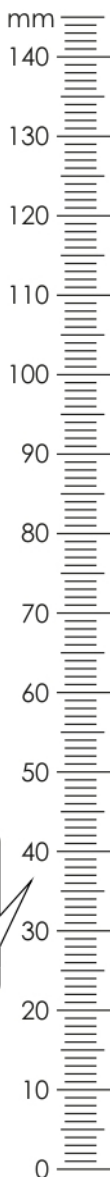


1124 400

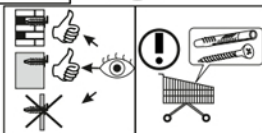
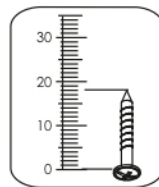
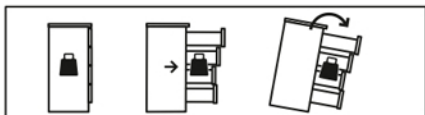
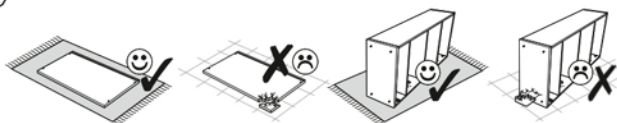


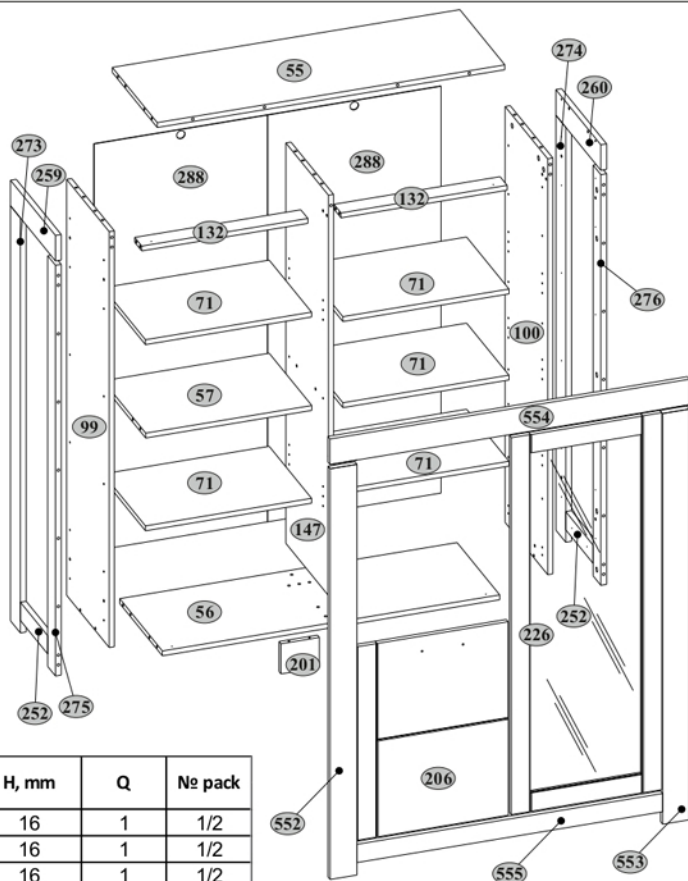
1452

<b>R3</b> 3x20 22	<b>R23</b> 6,3x13 8
<b>B5</b> 10x50 2	<b>C1</b> 8x35 36
<b>C7</b> 8x60 2	<b>E16</b> 4
<b>N1</b> 7	<b>P5</b> 20
<b>R24</b> 7x50 4	<b>R32</b> 4x27 4



<b>A1</b> 7x34 33	<b>A2</b> Ø15x13 33	<b>R53</b> 4,2x32 28	<b>R102</b> 3,5x16 32	<b>R105</b> 3,5x30 8	<b>S1</b> 4
<b>C2</b> 8x50 4	<b>C6</b> 8x24 8	<b>S3</b> 6	<b>S5</b> Ø18 9	<b>S9</b> Ø12 2	<b>S11</b> Ø8 2
<b>H61</b> 2	<b>I</b> S4	<b>U</b> 130x35x15 2	<b>U5</b> 36x36 2	<b>U21</b> 26x26x20 6	<b>V14</b> 84x84x14 2





№	L, mm	B, mm	H, mm	Q	№ pack
55	1086	382	16	1	1/2
56	1054	362	16	1	1/2
57	519	362	16	1	1/2
71	519	360	16	5	1/2
99	1367	362	16	1	2/2
100	1367	362	16	1	2/2
132	519	60	16	2	2/2
147	1316	362	16	1	1/2
201	120	99	16	1	2/2
206	636	470	16	1	2/2
226	1239	470	16	1	2/2
228	1337	542	2,5	2	2/2
252	232	60	18	2	1/2
259	382	84	18	1	1/2
260	382	84	18	1	1/2
273	1364	84	18	1	2/2
274	1364	84	18	1	2/2
275	1350	66	18	1	2/2
276	1350	66	18	1	2/2
552	1350	84	18	1	2/2
553	1350	84	18	1	2/2
554	1124	84	18	1	2/2
555	955	60	18	1	1/2

**1****A1**

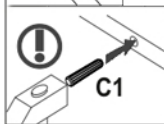
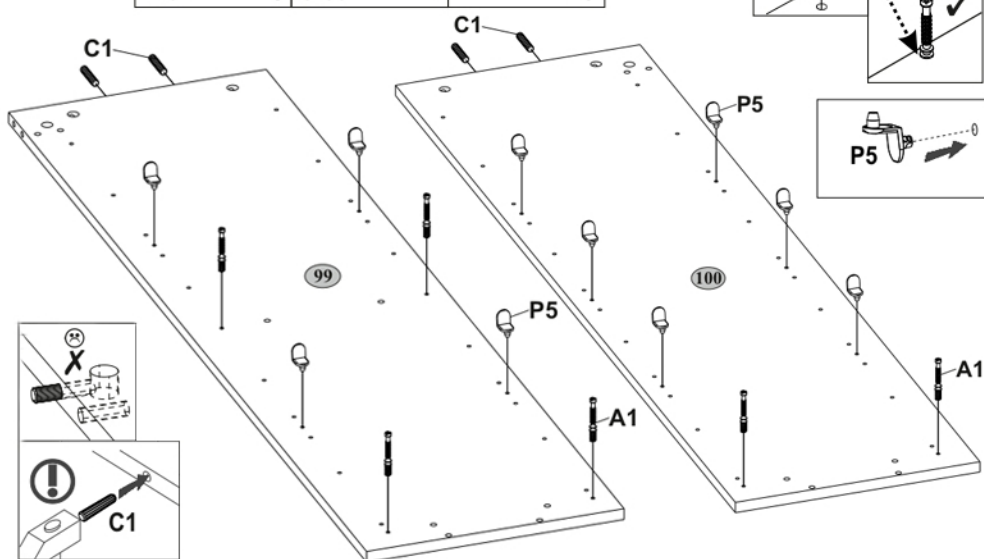
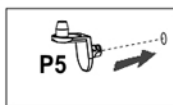
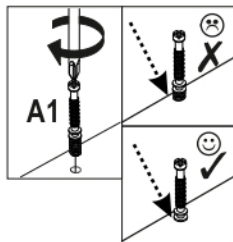
7x34

**C1**

6 8x35

**P5**

4 10

**2****A1**

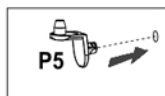
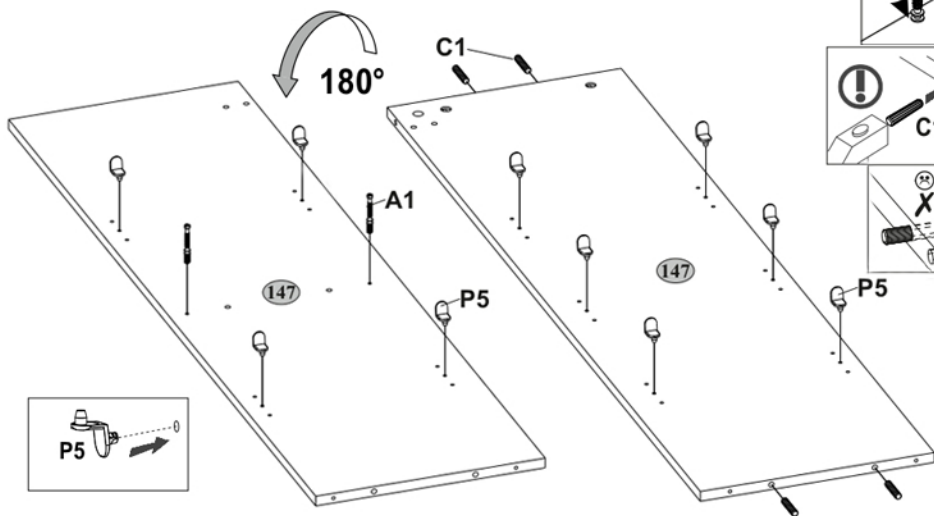
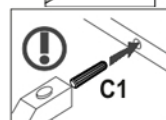
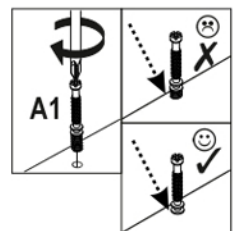
7x34

**C1**

2 8x35

**P5**

4 10



**3****A1**

7x34

**C1**

8x35

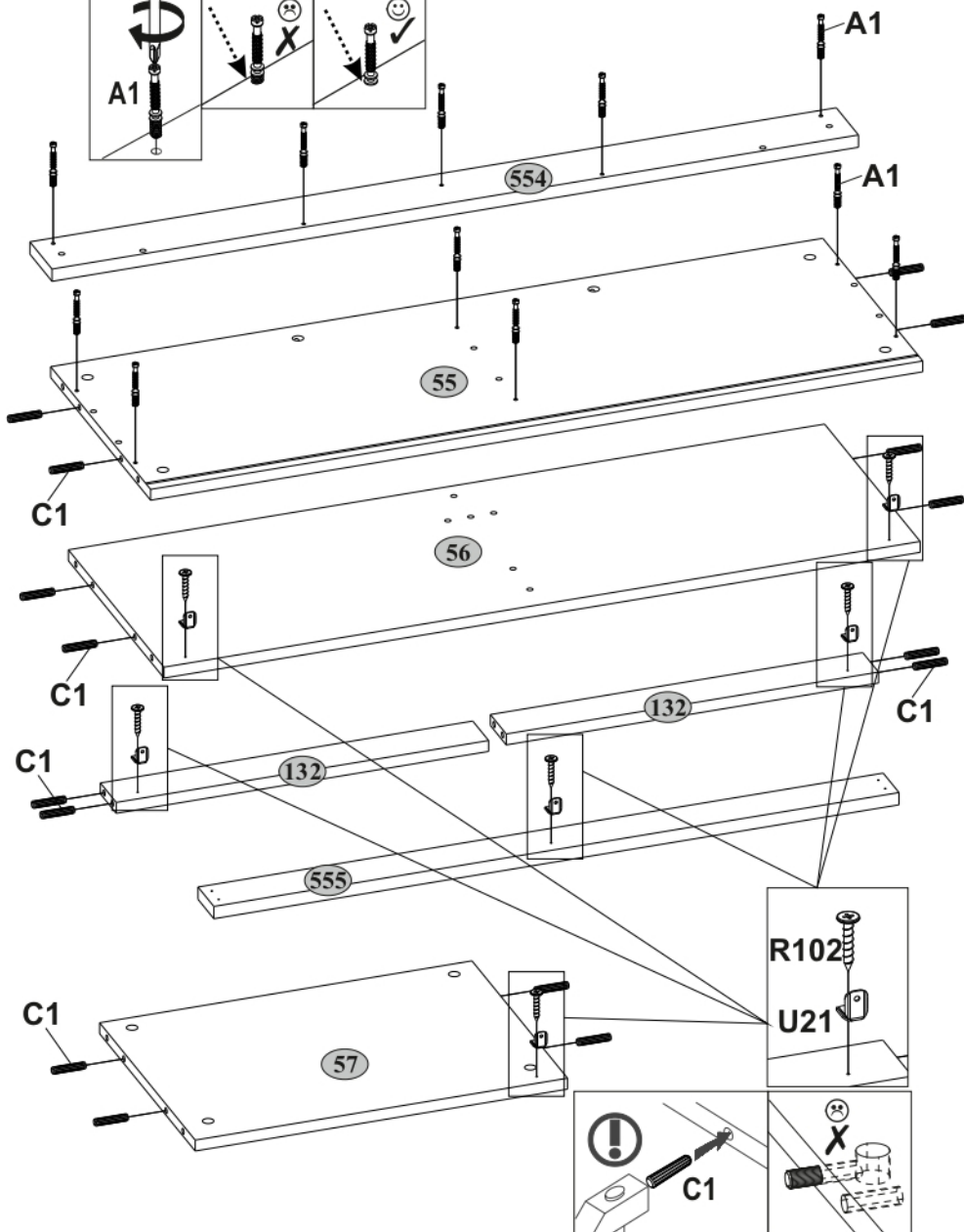
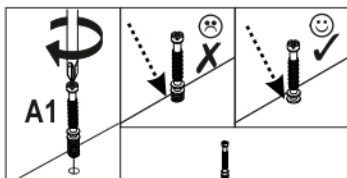
**R102**

3,5x16

**U21**

6 26x26x20

6



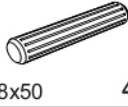
4

A1



7x34

C2

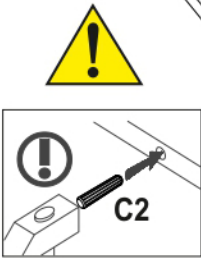
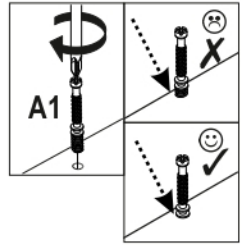
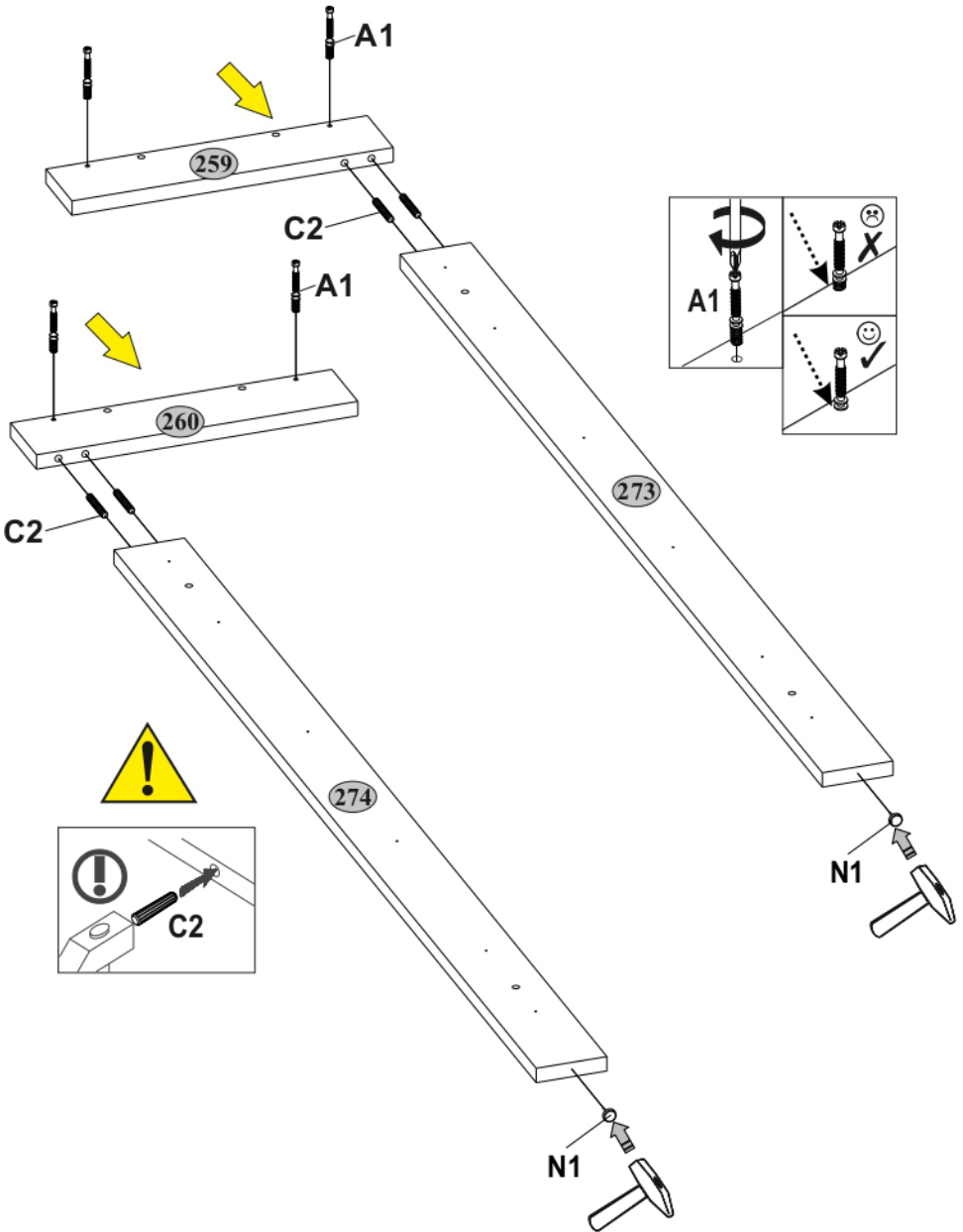


4 8x50

N1



2



5

A1



7x34

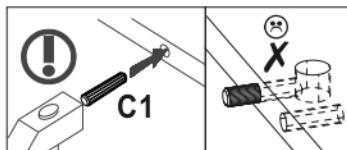
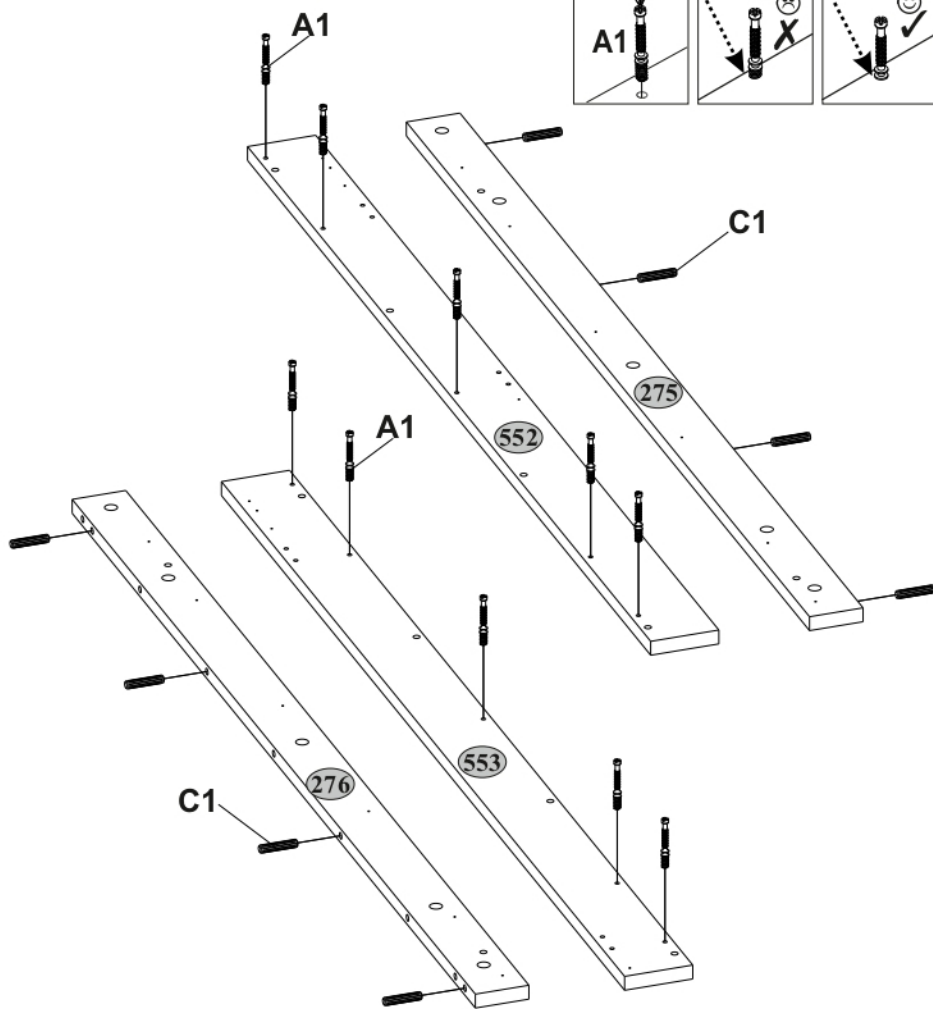
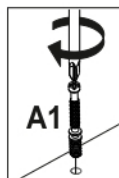
10

C1



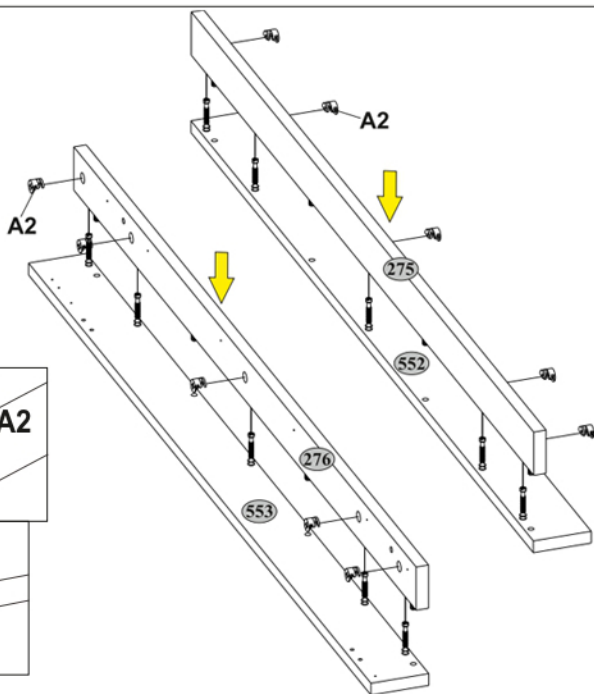
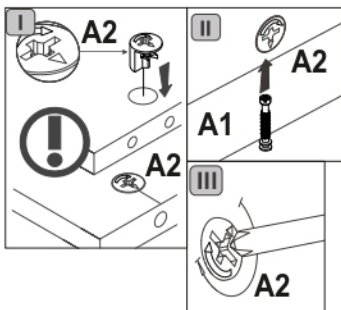
8x35

8



**6****A2**

Ø15x13 10

**7****N1**

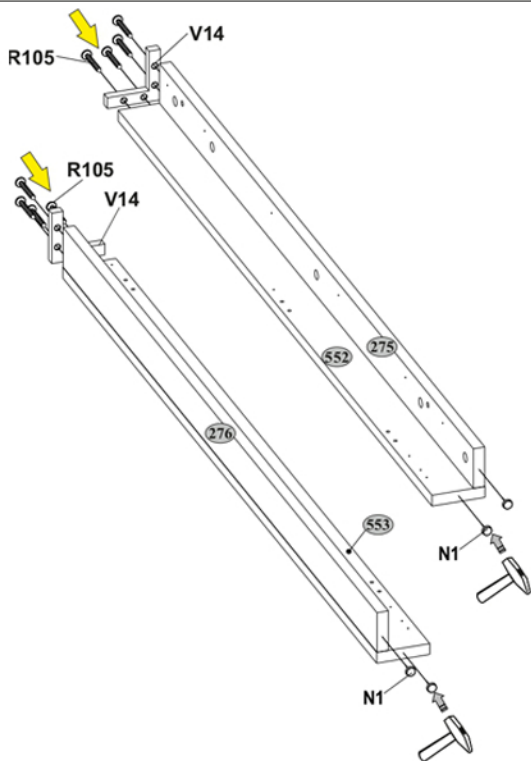
4

**R105**

3,5x30 8

**V14**

84x84x14 2



**8****C7**

8x60

2

**I**

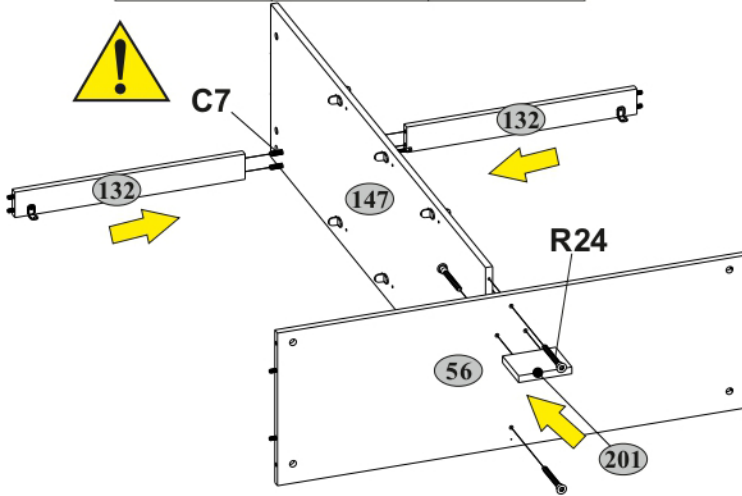
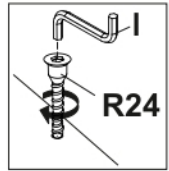
S4

1

**R24**

7x50

4

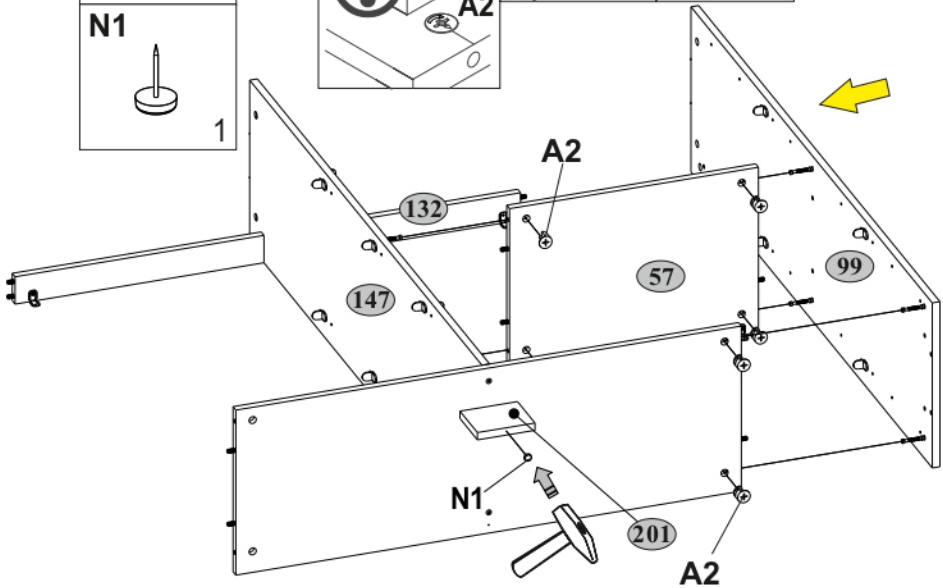
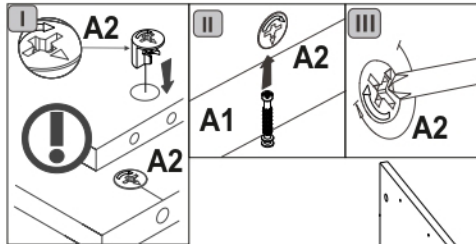
**9****A2**

Ø15x13

6

**N1**

1

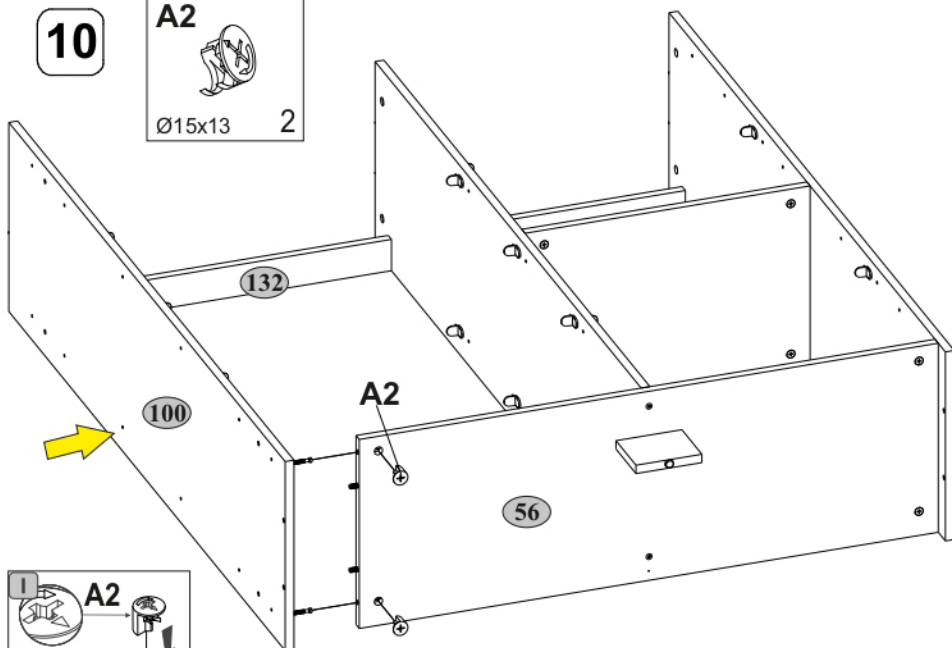




**10****A2**

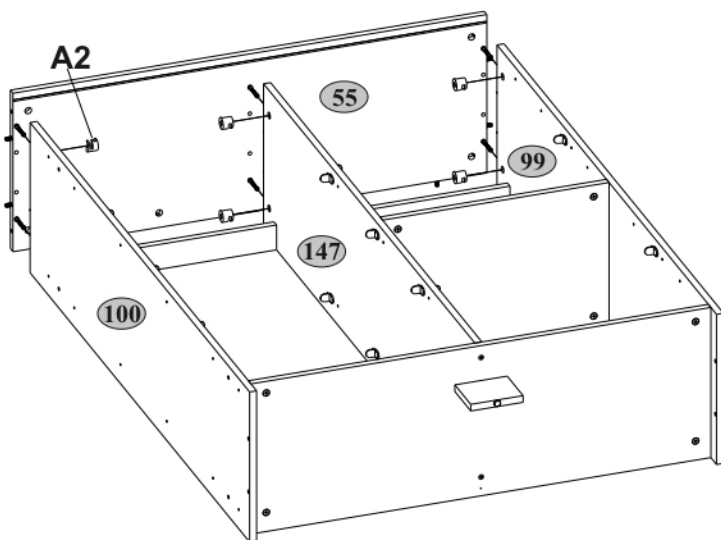
Ø15x13

2

**I****A2****A2****II****A1****A2****III****A2****11****A2**

Ø15x13

6



12

A2



Ø15x13

4

C6



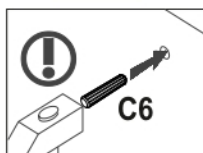
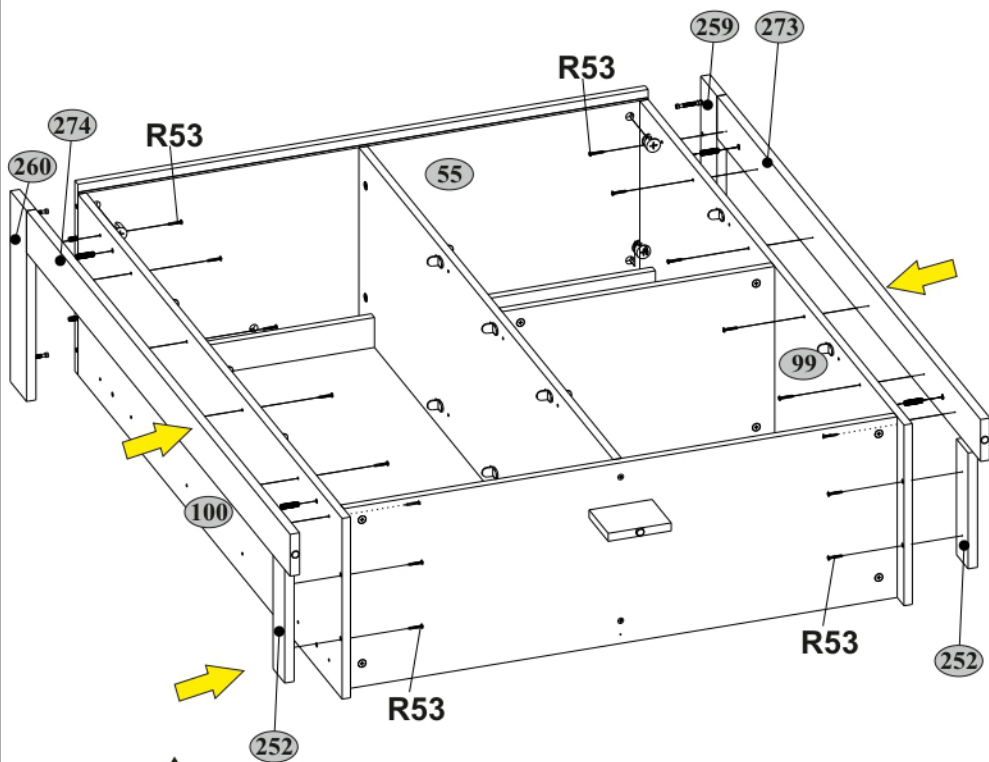
8x24

R53



8 4,2x32

16



**13****R3**

3x20

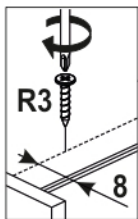
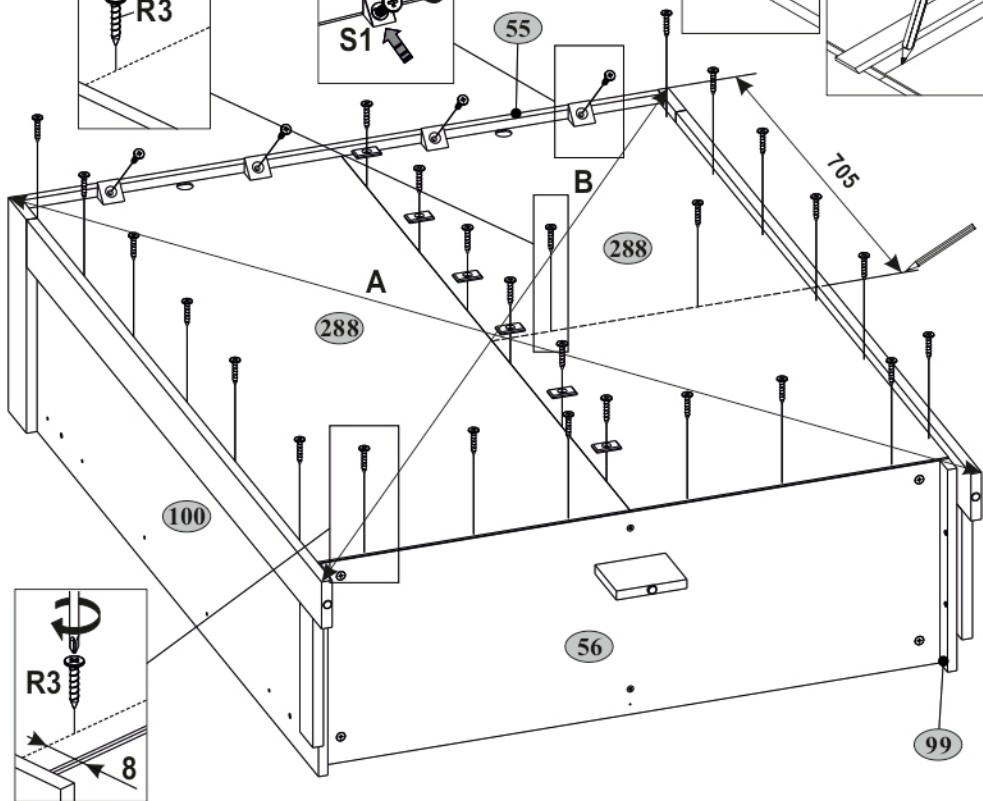
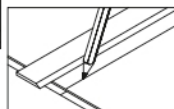
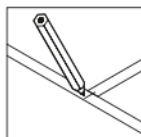
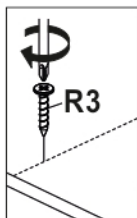
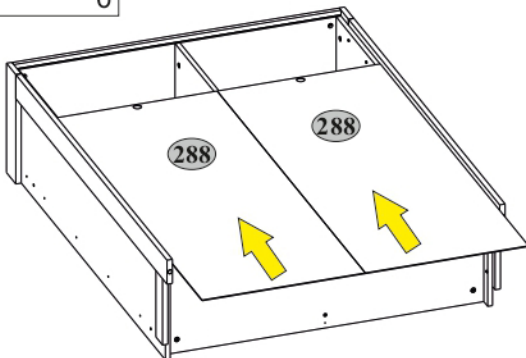
22

**S1**

4

**S3**

6

**A=B**

14

A2



Ø15x13

5

C1



8x35

4

R53



4,2x32

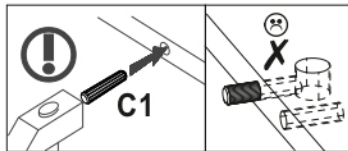
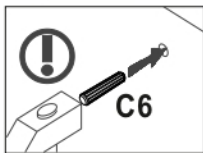
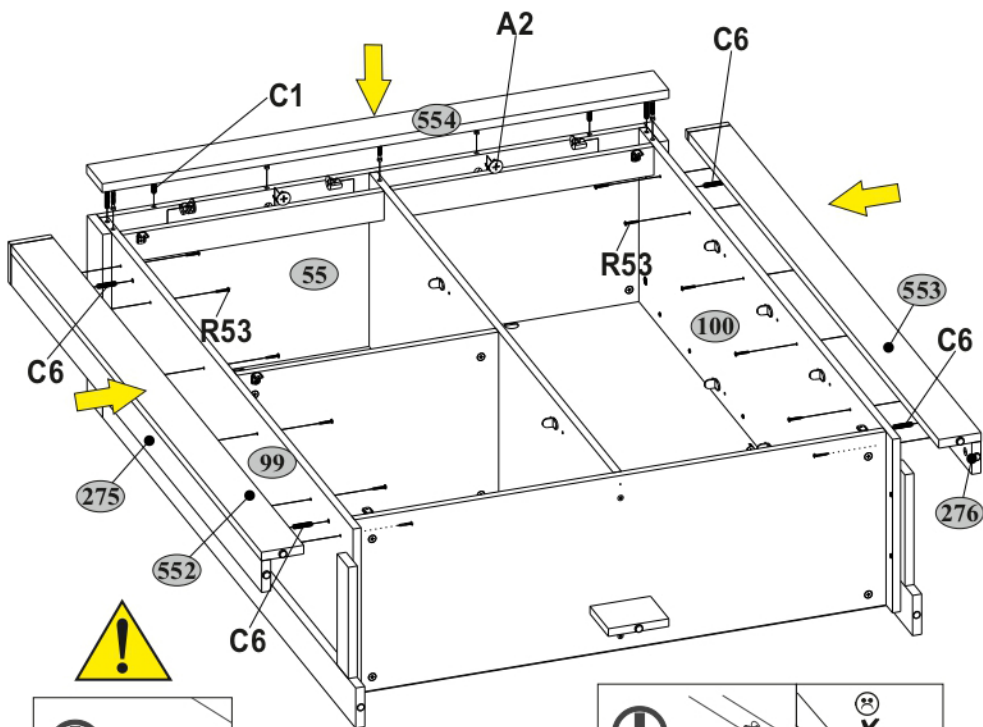
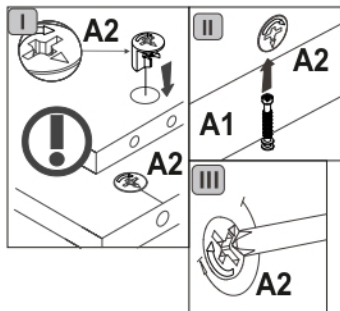
12

C6



8x24

4



15

R102



3,5x16

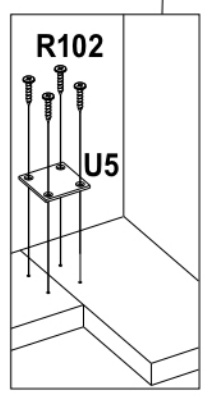
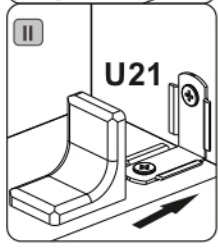
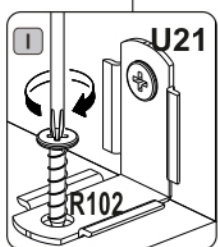
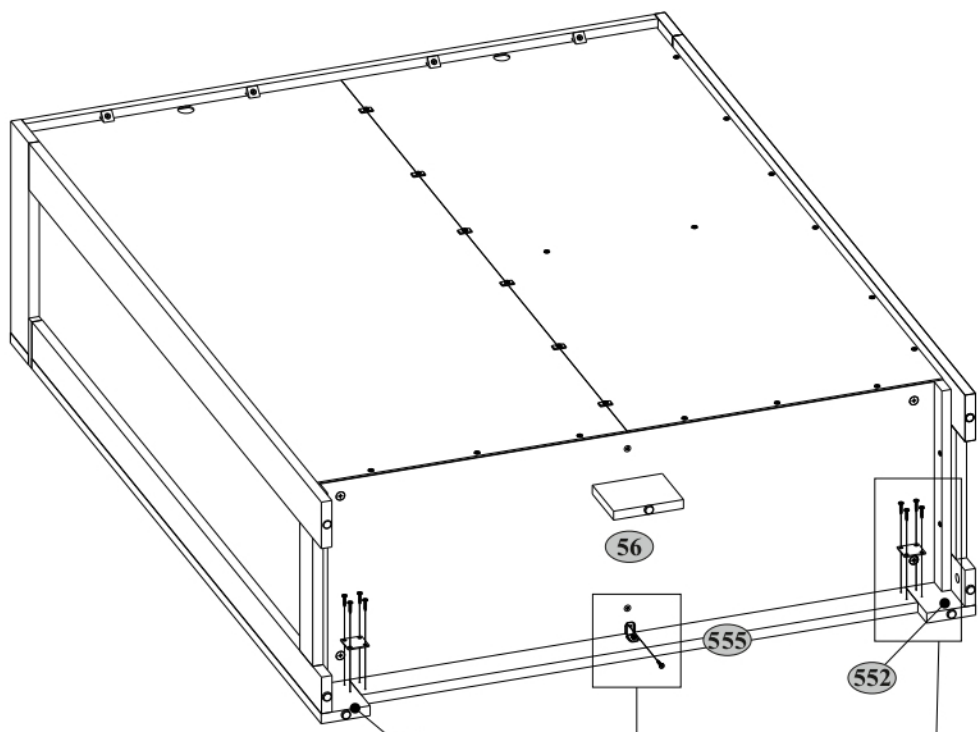
9

U5



36x36

2



16

E16



4

H61



2

R32



4x27

R102



4

3,5x16

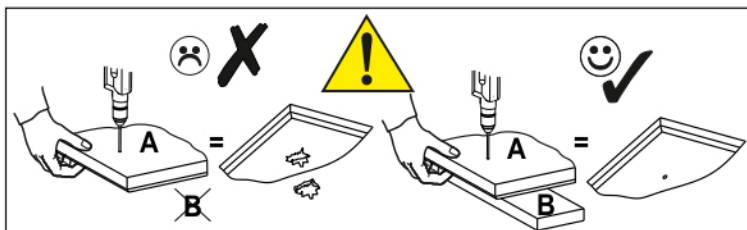
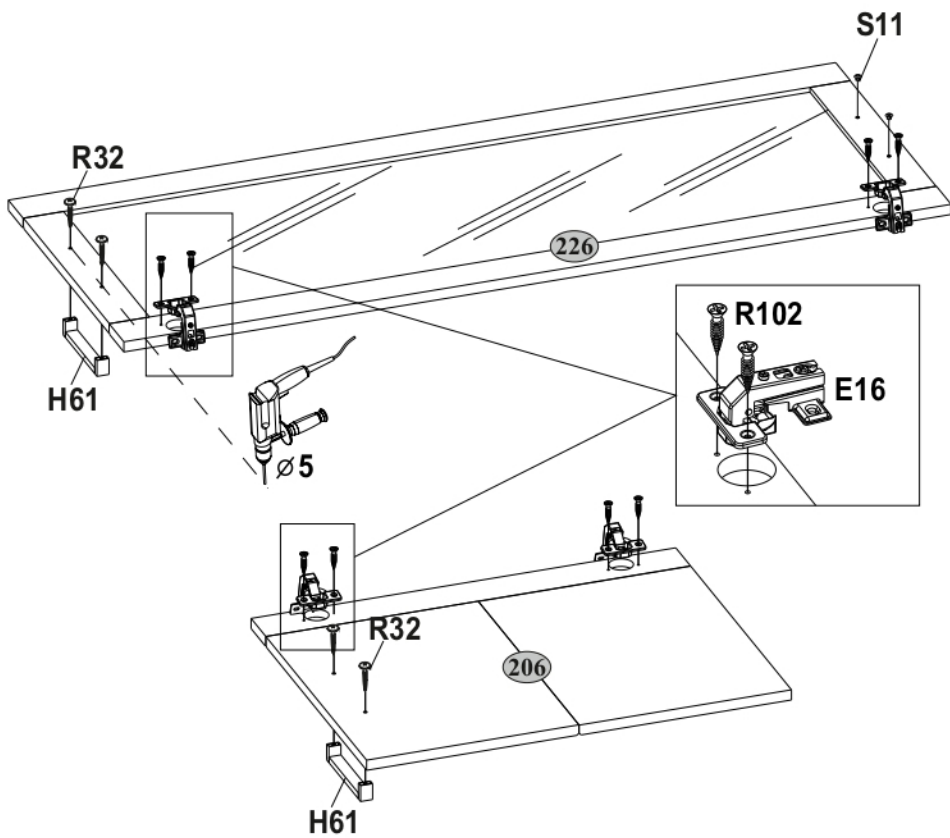
S11



8

Ø8

2



**17****B5**

10x50

2

**R102**

3,5x16

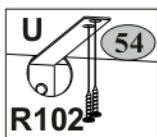
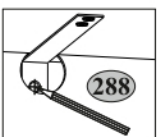
**U**

130x35x15

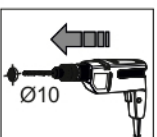
**U21**

26x26x20

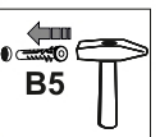
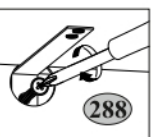
5

**R102**

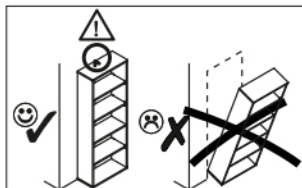
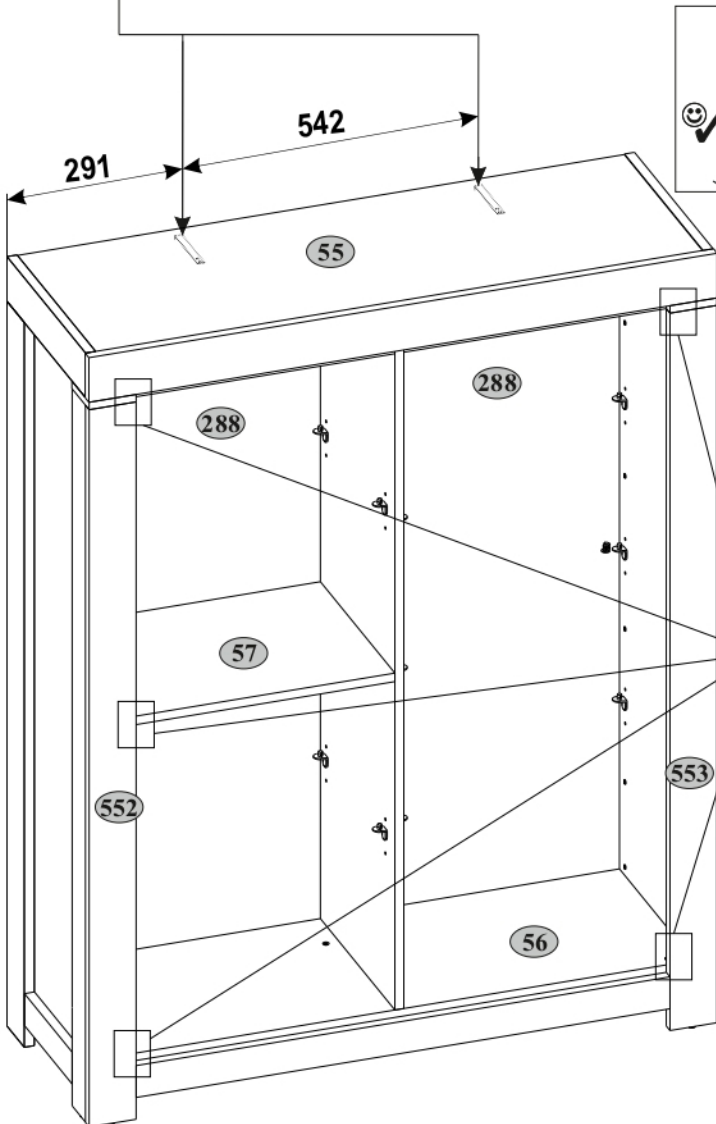
288



Ø10

**B5**

288



**18****S5**

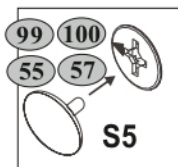
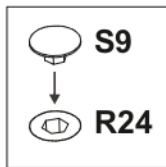
Ø18

**S9**

9

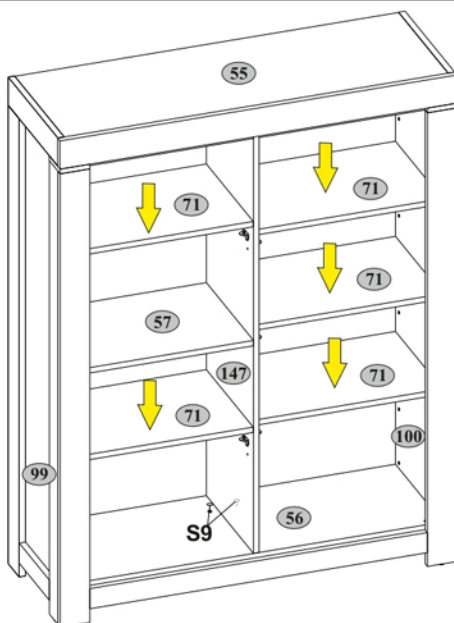
Ø12

2

**S5****S9****R24**

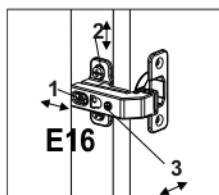
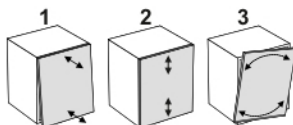
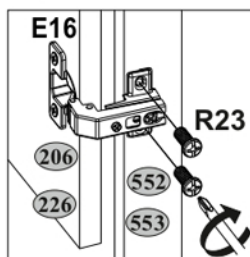
**71**  max.  
5 kg

**55** **56** **57**  max.  
10 kg

**19****R23**

6,3x13

8

**E16****E16****R23**